

# LADY COSTANZA

design Paolo Rizzatto

**LUCE  
PLAN**

Type: Floor/Suspension

Light source: D13Ed - D13 Ead LED E27 dimmable EEL: A++/A+/A  
105W HSGSA E27 EEL: D




D13Ei - D13Eai LED E27 dimmable EEL: A++/A+/A  
D13E sas 105W HSGSA E27 EEL: D

Product use: Indoor

Materials: Aluminium stem, polycarbonate shade

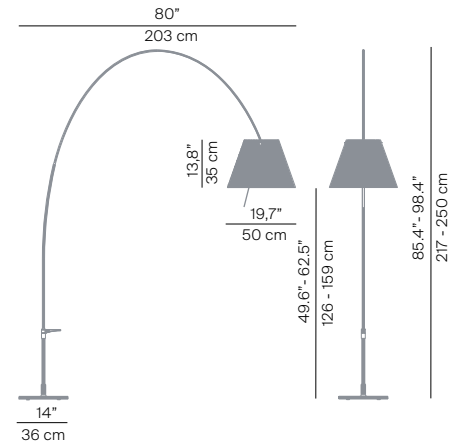
Colors: Structure in alu, black  
Shade in white, red, black

Description: The telescopic control of the stem and the 360° rotation on the base bring an elegant adaptability to Lady Costanza, allowing the user to change the height and direction of the diffuser. The extraordinary lightness of the structure and handle on the base also make it easy to move the lamp. Lady Costanza is now proposed in suspension version

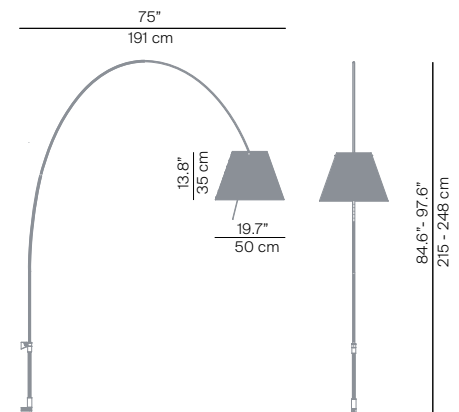
Insulation class:   

Reference code:	Structure		
	D13Ed	1D13GED00020	alu
		1D13GED00017	black
	D13Ei	1D13GEI00020	alu
		1D13GEI00017	black
	D13Ead	1D13GEDA0020	alu
	D13Eai	1D13GEIA0020	alu
	D13E sas	1D13GESA0020	alu
	Shade		
	D13E/1	1D13GE/01002	white
		1D13GE/01001	black
		1D13GE/01008	red
		1D13GE/01039	shaded stone

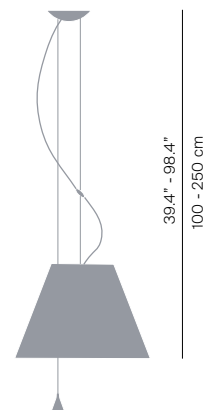
D13 Ed - D13 Ei



D13 Ead - D13 Eai



D13E sas



weight 0,96 Kg  
ceiling rose Ø 12 cm x h 3 cm

