

NEW 2016

LLT wood



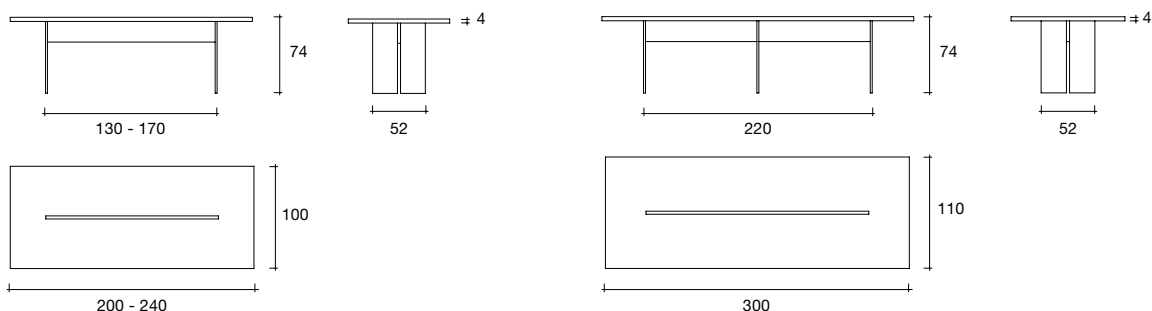
modello registrato
registered model

DESIGN
DANTE O. BENINI
E LUCA GONZO

portata sul piano: 150 kg
load capacity on top: 150 kg

Tavolo con piano
in legno multistrato
marino da 40 mm
impiallacciato noce
canaletto o rovere "old".
Struttura in vetro
trasparente o extralight
stratificato da 30 mm
e gambe in vetro
trasparente
o extralight da 19 mm.

Table with top in 40 mm
multilayered marine
plywood, canaletto walnut
or "old style" oak finish
veneer. Structure in 30 mm
laminated transparent
or extralight glass and legs
in 19 mm transparent
or extralight glass.



dimensioni L, P, H
dimensions L, W, H
(cm)

	COD./CODE	L	P/W	H	peso netto net weight (kg)	peso lordo gross weight (kg)	volume imballo package volume (m ³)
Piano impiallacciato noce canaletto. Top in canaletto walnut finish.	LLTW/2010N	200	100	74	96	148	1,35
	LLTW/2410N	240	100	74	113	175	1,67
	LLTW/3011N	300	110	74	156	236	2,16
Piano impiallacciato rovere "Old". Top in "old style" oak finish.	LLTW/2010R	200	100	74	96	148	1,35
	LLTW/2410R	240	100	74	113	175	1,67
	LLTW/3011R	300	110	74	156	236	2,16
Piano impiallacciato noce canaletto. Base in vetro extralight. Top in canaletto walnut finish. Extralight glass base.	LLTW/2010XN	200	100	74	96	148	1,35
	LLTW/2410XN	240	100	74	113	175	1,67
	LLTW/3011XN	300	110	74	156	236	2,16
Piano impiallacciato rovere "old". Base in vetro extralight. Top in "old style" oak finish. Extralight glass base.	LLTW/2010XR	200	100	74	96	148	1,35
	LLTW/2410XR	240	100	74	113	175	1,67
	LLTW/3011XR	300	110	74	156	236	2,16