

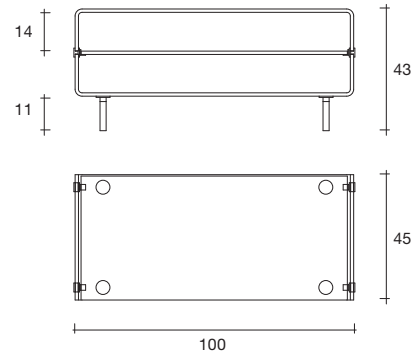


## c&c large

modello registrato  
registered model

DESIGN  
CHRISTOPHE PILLET

portata sul piano: 60 kg  
portata sul ripiano: 20 kg  
load capacity on shelf: 60 kg  
load capacity on the top: 20 kg



Carrello in vetro curvato da 12 mm  
con ripiano in vetro da 12 mm, fornito  
con piedini e ruote piroettanti, accessori  
in alluminio.

*Trolley in 12 mm-thick curved glass  
with 12 mm-thick glass shelf. With feet  
and castors, details in aluminium.*

dimensioni L, P, H  
dimensions L, W, H  
(cm)

COD./CODE

L

P/W

H

peso netto  
net weight  
(kg)

peso lordo  
gross weight  
(kg)

volume imballo  
package volume  
(m<sup>3</sup>)

Fornito con piedini e ruote piroettanti.  
With feet and castors.

**436**

100

45

43

48

62

0,36