

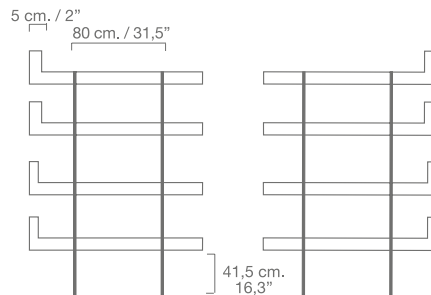
SHELF-SERVICE

design: Bruno Rainaldi



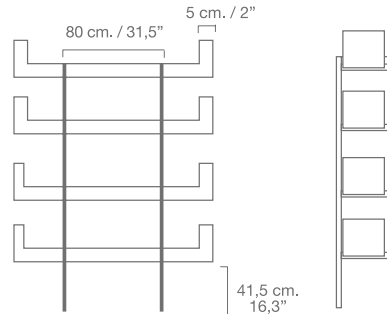
Libreria. Struttura in acciaio verniciato o cromato. Ripiani in rovere o in MDF laccato lucido, opaco o laccato laminato liquido.

Bookcase. Frame in chrome-plated or painted steel. Wooden shelves available in oak or in MDF, glossy or matt lacquered or painted in liquid laminate.



ART. 9100 DX/SX
L/W 165 H 188 P/D 40
W 65" H 74" D 15,7"

SX/Left



ART. 9204
L/W 170 H 188 P/D 40
W 66,9" H 74" D 15,7"