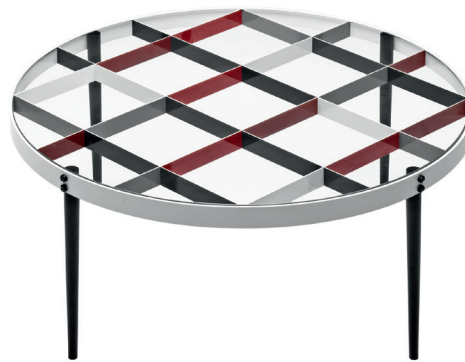


# Molteni & C

## D.555.1 SMALL TABLE — GIO PONTI 1954-55 / 2012

1—  
2



From Gio Ponti's house, located in via Dezza in Milan, the small table D.555.1, designed in 1954-1955, is produced by Molteni&C based on the original drawings from the ponti archives. It completes the Gio Ponti Collection which was a furnishing range designed by the architect between 1935 and 1950s. Metal hand painted structure and glass top.

**DATASHEET**

REGISTERED  
DESIGN

VII.2016

**molteni.it**

Dimensions in millimeters and inches. The right to discontinue and make changes is reserved. This information is based on the latest product information available at the time of printing.

**D.555.1**  
**SMALL TABLE**  
GIO PONTI  
1954-55 / 2012

## FINISHES

Produced with metal legs. The parts of the metal grid are hand painted in different colours like the original design. The top is made of transparent glass.

# Molteni & C

## TECHNICAL INFORMATION

### TOP STRUCTURE

Grid in hand painted steel.

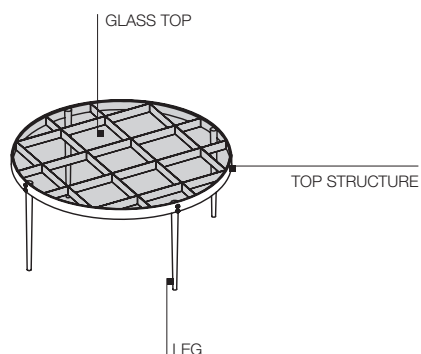
### GLASS TOP

Tempered glass thickness 5 mm transparent extra light.

### LEG

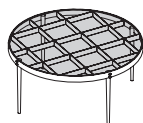
In painted steel with plastic for floor placement.

2—  
2



## DIMENSIONS

Ø 800 H 370  
Ø 31 1/2" H 14 5/8"



**D.555.1**

## DATASHEET

REGISTERED  
DESIGN

VII.2016

**molteni.it**

Dimensions in millimeters and inches. The right to discontinue and make changes is reserved. This information is based on the latest product information available at the time of printing.