

TIVEDO

design Sebastian Bergne



Type: Table

Light source: LED 9,5W⁽¹⁾ Mid Power 3000K CRI 80 523 lm EEL: A
power on/off - dimmer button slotted in the base.
Occupancy sensor (D83 pres.) is slotted in the base.

Product use: Indoor

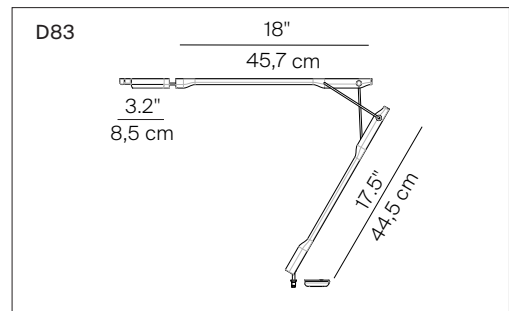
Materials: body and base in polycarbonate, head in heatsink
conductive thermoplastic, metal parts inox

Colors: black, light grey, lacquer red, sky blue

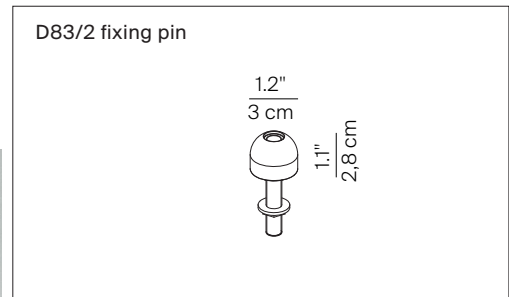
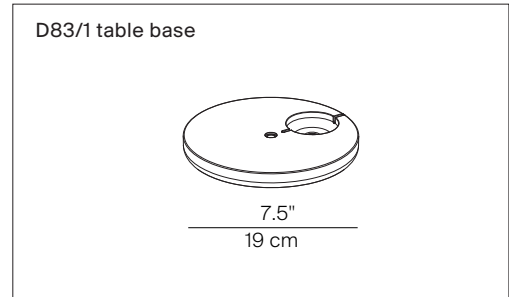
Description: The two-way pantograph system allows for the widest range and variation of movement.
The swiveling head, also in technopolymer, equipped with a practical, intuitive and ergonomic T grip, contains an LED lighting module of the latest generation, with low energy consumption.
The heat sink which has been made using a special thermally conductive plastic instead of aluminium, molded with a design suggestive of a woven fabric pattern. The base houses an intelligent box directly connected to the cable, containing the switch and dimmer, with a second version including a presence sensor.



Insulation class:



Reference code:	Structure		
	D83	1D830=000001 1D830=000004 1D830=000008 1D830=000023	black light grey lacquer red sky blue
	D83 pres.	1D830=001001 1D830=001004 1D830=001008 1D830=001023	black light grey lacquer red sky blue
	Table base D83/1	1D83/1000001 1D83/1000004 1D83/1000008 1D83/1000023	black light grey lacquer red sky blue
	Fixing pin D83/2	1D83/2000018	polished



⁽¹⁾The LED lamps cannot be changed in the luminaire

