

FLOS

F1854044 Anodized Champagne

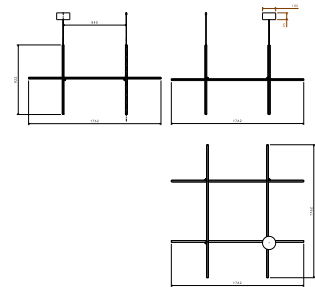
Coordinates Suspension 4

Designed by Michael Anastassiades, 2020



161W - 8830lm - 2700K - CRI> 95

Coordinates is a lighting system with diffuse light composed of horizontal and vertical luminaries arranged in a bright grid of various shapes and complexities. Each element is made of extruded anodized aluminium with a champagne finish and a diffuser in platinum optical silicone with an integrated LED strip (CRI 95). Each element is powered and supported by an invisible electrical and mechanical connection designed specifically to allow for the composition of the 4 hanging models (S1, S2, S3, S4) with 2.4-m cables. The 'S Module' is also available. Its geometry was designed to be repeated to create large grids for custom installations. Each Coordinates configuration includes its own ceiling rose, whose integrated electronics allow for the use of different dimmer systems: push, 1-10, DALI. In the absence of these systems, the amount of light can be set during installation with the push system included in the rose. The related CI III version is also available for each configuration for installations with a remote power supply.



Are you a professional and your project needs consulting and support?

[BOOK AN APPOINTMENT](#)

Main specifications

EAN	8059607001677
Mounting	Suspension
Environments	Indoor dry location
Light Source Type	LED
LED type	LED Module
Power (W)	161
System flux (lm)	8830

Physical

Colour	Anodized Champagne
Length (mm)	1762
Cord length (mm)	2400
Net weight (kg)	7.9
Package height (mm)	0
Package width (mm)	0
Package length (mm)	0
Package volume (m3)	0.06
IP internal	20

Download

Mounting instructions [↓ PDF](#)

Photometric Files

ULD [↓ ZIP](#)

Technical Drawings

3D [↓ ZIP](#)

[🔒 Bim](#) [↓ ZIP](#)



Photometric

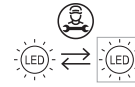
Lighting type	Total
Light distribution	Asymmetric
CCT (K)	2700
CRI>	95

Electrical

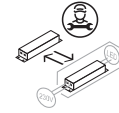
Insulation class	I
Frequency (Hz)	50/60
Main voltage (Vac)	100-240
LED voltage Vf (Vdc)	null
Driver	Integrated
Dimmable	Yes
Dimming type	Dimmable 0-10V, Dimmable Push, Dimmable 1-10V, Dimmable DALI 1
Dimming interface	Remote Dimmable (Dimmer Not Included)
Batteries inside	No

Ecodesign and Energy Labelling

This product contains a light source of energy efficiency class F

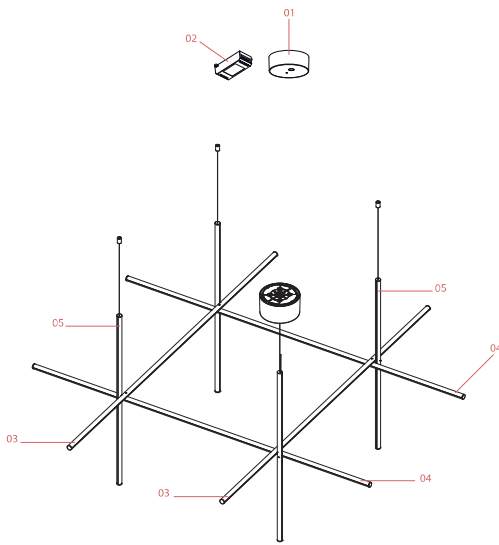


Replaceable (LED only) light source by a professional

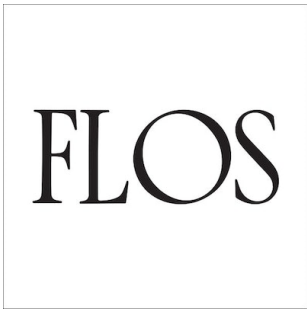


Replaceable control gear by a professional

Spare Parts



- | | | |
|-----|--|-----------|
| 01. | Assembly Rose for Coordinates
S4 Anodized Champagne | RF1873144 |
| 02. | Led dimmer kit | RF0410300 |
| 03. | Rod Assembly L1760 H-11
Anodized Champagne | RF30985 |
| 04. | Rod Assembly L1760 H-10
Anodized Champagne | RF30984 |
| 05. | Rod Assembly L920 S-14
Anodized Champagne | RF30983 |



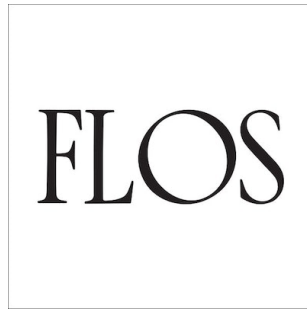
RF1873144

Assembly Rose for Coordinates
S4 Anodized Champagne



RF0410300

Led dimmer kit



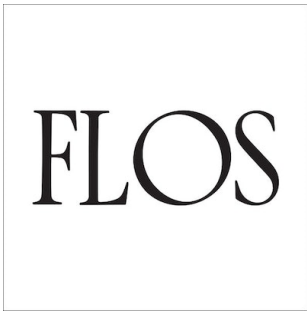
RF30985

Rod Assembly L1760 H-11
Anodized Champagne



RF30984

Rod Assembly L1760 H-10
Anodized Champagne



RF30983

Rod Assembly L920 S-14
Anodized Champagne

FLOS

F1889044 Anodized Champagne

Coordinates Module Suspension CLIII

Designed by Michael Anastassiades, 2020

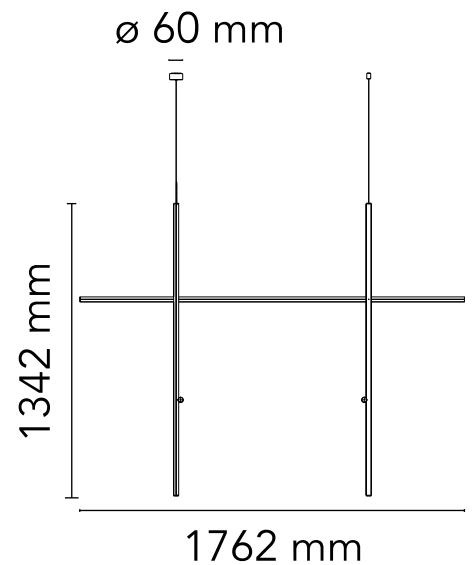
180W - 10230lm - 2700K - CRI> 90



Coordinates is a lighting system with diffuse light composed of horizontal and vertical luminaries arranged in a bright grid of various shapes and complexities. Each element is made of extruded anodized aluminium with a champagne finish and a diffuser in platinum optical silicone with an integrated LED strip (CRI 95). Each element is powered and supported by an invisible electrical and mechanical connection designed specifically to allow for the composition of the 4 hanging models (S1, S2, S3, S4) with 2.5-m cables. The 'S Module' is also available. Its geometry was designed to be repeated to create large grids for custom installations. Each Coordinates configuration includes its own ceiling rose, whose integrated electronics allow for the use of different dimmer systems: push, 1-10, DALI. In the absence of these systems, the amount of light can be set during installation with the push system included in the rose. The related CI III version is also available for each configuration for installations with a remote power supply.

Are you a professional and your project needs consulting and support?

[BOOK AN APPOINTMENT](#)



Main specifications

EAN	8059607031162
Mounting	Suspension
Environments	Indoor dry location
Light Source Type	LED
LED type	LED Module
Power (W)	180
System flux (lm)	10230

Physical

Colour	Anodized Champagne
Length (mm)	1770
Cord length (mm)	2400
Net weight (kg)	6
Package height (mm)	0
Package width (mm)	0
Package length (mm)	0
Package volume (m3)	0.05
IP internal	20

Download

[Mounting instructions](#)  PDF

Photometric Files

[ULD](#)  ZIP

Technical Drawings

[3D](#)  ZIP

[Bim](#)  ZIP



Photometric

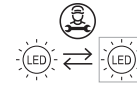
Lighting type	Total
Light distribution	Asymmetric
CCT (K)	2700
CRI>	90

Electrical

Insulation class	III
Main voltage (Vac)	48
LED voltage Vf (Vdc)	null
Driver	Remote excluded
Dimming type	Electronic 48V
Batteries inside	No

Ecodesign and Energy Labelling

This product contains a light source of energy efficiency class F



Replaceable (LED only) light source by a professional

Accessories & Power Supply



OPTIONAL

RF26994

12-48V Led Dimmer



OPTIONAL

RF27617

48Vdc 240W Power supply

Spare Parts



- | | | |
|-----|--|-----------|
| 10. | Assembly Rose Cover for
Coordinates S CLIII Anodized
Champagne | RF1874144 |
| 20. | Rod Assembly L1340 S-29
Anodized Champagne | RF30988 |
| 30. | Rod Assembly L1340 S-30
Anodized Champagne | RF30989 |
| 40. | Rod Assembly L1760 H-31
Anodized Champagne | RF30990 |



RF1874144
Assembly Rose Cover for
Coordinates S CLIII Anodized
Champagne



RF30988
Rod Assembly L1340 S-29
Anodized Champagne



RF30989
Rod Assembly L1340 S-30
Anodized Champagne



RF30990
Rod Assembly L1760 H-31
Anodized Champagne

FLOS

F1880033 Argent

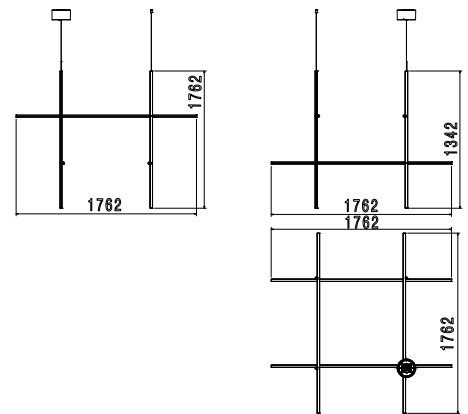
Coordinates Module Suspension

Designed by Michael Anastassiades, 2020

180W - 10230lm - 2700K - CRI> 90



Coordinates is a lighting system with diffuse light composed of horizontal and vertical luminaries arranged in a bright grid of various shapes and complexities. Each element is made of extruded anodized aluminium with a champagne finish and a diffuser in platinum optical silicone with an integrated LED strip (CRI 95). Each element is powered and supported by an invisible electrical and mechanical connection designed specifically to allow for the composition of the 4 hanging models (S1, S2, S3, S4) with 2.5-m cables. The 'S Module' is also available. Its geometry was designed to be repeated to create large grids for custom installations. Each Coordinates configuration includes its own ceiling rose, whose integrated electronics allow for the use of different dimmer systems: push, 1-10, DALI. In the absence of these systems, the amount of light can be set during installation with the push system included in the rose. The related CI III version is also available for each configuration for installations with a remote power supply.



Are you a professional and your project needs consulting and support?

[BOOK AN APPOINTMENT](#)

Main specifications

EAN	8059607032862
Mounting	Suspension
Environments	Indoor dry location
Light Source Type	LED
LED type	LED Module
Power (W)	180
System flux (lm)	10230

Physical

Colour	Argent
Length (mm)	1770
Cord length (mm)	2400
Net weight (kg)	8.7
Package height (mm)	0
Package width (mm)	0
Package length (mm)	0
Package volume (m3)	0.06
IP internal	20

Download

Mounting instructions [↓ PDF](#)

Photometric Files

ULD [↓ ZIP](#)

Technical Drawings

3D [↓ ZIP](#)

[🔒 Bim](#) [↓ ZIP](#)



Photometric

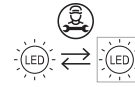
Lighting type	Total
Light distribution	Asymmetric
CCT (K)	2700
CRI>	90

Electrical

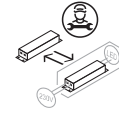
Insulation class	I
Frequency (Hz)	50/60
Main voltage (Vac)	100-240
LED voltage Vf (Vdc)	null
Driver	Integrated
Dimmable	Yes
Dimming type	Dimmable 0-10V, Dimmable Push, Dimmable 1-10V, Dimmable DALI 1
Dimming interface	Remote Dimmable (Dimmer Not Included)
Batteries inside	No

Ecodesign and Energy Labelling

This product contains a light source of energy efficiency class F



Replaceable (LED only) light source by a professional

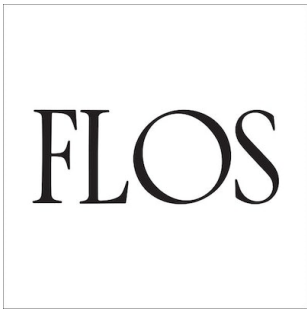


Replaceable control gear by a professional

Spare Parts



10. Assembly Rose for Coordinates RF1873133
S4 Argent



RF1873133

Assembly Rose for Coordinates
S4 Argent

FLOS

F1842033 Argent

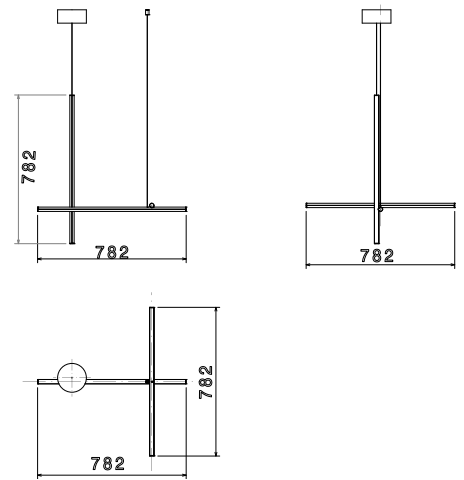
Coordinates Suspension 1 CLIII

Designed by Michael Anastassiades, 2020



32W - 1920lm - 2700K - CRI > 95

Coordinates is a lighting system with diffuse light composed of horizontal and vertical luminaries arranged in a bright grid of various shapes and complexities. Each element is made of extruded anodized aluminium with a champagne finish and a diffuser in platinum optical silicone with an integrated LED strip (CRI 95). Each element is powered and supported by an invisible electrical and mechanical connection designed specifically to allow for the composition of the 4 hanging models (S1, S2, S3, S4) with 2.4-m cables. The 'S Module' is also available. Its geometry was designed to be repeated to create large grids for custom installations. Each Coordinates configuration includes its own ceiling rose, whose integrated electronics allow for the use of different dimmer systems: push, 1-10, DALI. In the absence of these systems, the amount of light can be set during installation with the push system included in the rose. The related CI III version is also available for each configuration for installations with a remote power supply.



Are you a professional and your project needs consulting and support?

[BOOK AN APPOINTMENT](#)

Main specifications

EAN	8059607038314
Mounting	Suspension
Environments	Indoor dry location
Light Source Type	LED
LED type	LED Module
Power (W)	32
System flux (lm)	1920


Physical

Colour	Argent
Length (mm)	780
Cord length (mm)	2400
Net weight (kg)	1.2
Package height (mm)	0
Package width (mm)	0
Package length (mm)	0
Package volume (m3)	0.02
IP internal	20

Download

[Mounting instructions](#)  PDF

Photometric Files

[ULD](#)  ZIP

Technical Drawings

[3D](#)  ZIP

[Bim](#)  ZIP



Photometric

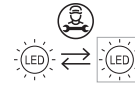
Lighting type	Total
Light distribution	Asymmetric
CCT (K)	2700
CRI>	95

Electrical

Insulation class	III
Main voltage (Vac)	48
LED voltage Vf (Vdc)	null
Driver	Remote excluded
Dimming type	Electronic 48V
Batteries inside	No

Ecodesign and Energy Labelling

This product contains a light source of energy efficiency class F



Replaceable (LED only) light source by a professional

Accessories & Power Supply



OPTIONAL

RF26994

12-48V Led Dimmer

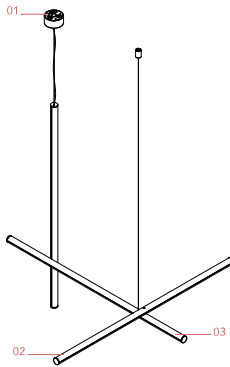


OPTIONAL

RF29208

48Vdc 80W Power supply

Spare Parts



- | | | |
|-----|---|-----------|
| 01. | Assembly Rose Cover for
Coordinates S CLIII Argent | RF1874133 |
| 02. | Rod Assembly L780 SH-03 Agent | RF30914 |
| 03. | Rod Assembly L780 SA-01 Agent | RF30911 |



RF1874133

Assembly Rose Cover for
Coordinates S CLIII Argent



RF30914

Rod Assembly L780 SH-03 Agent



RF30911

Rod Assembly L780 SA-01 Agent

FLOS

F1860033 Argent

Coordinates Suspension 1

Designed by Michael Anastassiades, 2020

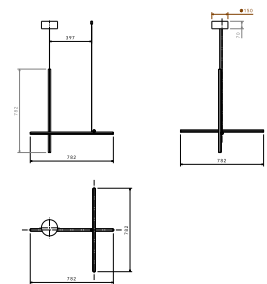


37W - 1920lm - 2700K - CRI > 95

Coordinates is a lighting system with diffuse light composed of horizontal and vertical luminaries arranged in a bright grid of various shapes and complexities. Each element is made of extruded anodized aluminium with a champagne or argent finish and a diffuser in platinum optical silicone with an integrated LED strip (CRI 95). Each element is powered and supported by an invisible electrical and mechanical connection designed specifically to allow for the composition of the 4 hanging models (S1, S2, S3, S4) with 2.4-m cables. Each Coordinates configuration includes its own ceiling rose, whose integrated electronics allow for the use of different dimmer systems: push, 1-10, DALI. In the absence of these systems, the amount of light can be set during installation with the push system included in the rose.

Are you a professional and your project needs consulting and support?

[BOOK AN APPOINTMENT](#)




Main specifications

EAN	8059607038321
Mounting	Suspension
Environments	Indoor dry location
Light Source Type	LED
LED type	LED Module
Power (W)	37
System flux (lm)	1920

Physical

Colour	Argent
Length (mm)	780
Cord length (mm)	2400
Net weight (kg)	2.1
Package height (mm)	0
Package width (mm)	0
Package length (mm)	0
Package volume (m3)	0.02
IP internal	20

Download

[Mounting instructions](#)  PDF

Photometric Files

[ULD](#)  ZIP

Technical Drawings

[3D](#)  ZIP

[Bim](#)  ZIP



Photometric

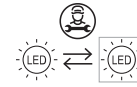
Lighting type	Total
Light distribution	Asymmetric
CCT (K)	2700
CRI>	95

Electrical

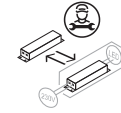
Insulation class	I
Frequency (Hz)	50/60
Main voltage (Vac)	120-240
LED voltage Vf (Vdc)	null
Driver	Integrated
Dimmable	Yes
Dimming type	Dimmable 0-10V, Dimmable Push, Dimmable 1-10V, Dimmable DALI 1
Dimming interface	Remote Dimmable (Dimmer Not Included)
Batteries inside	No

Ecodesign and Energy Labelling

This product contains a light source of energy efficiency class F

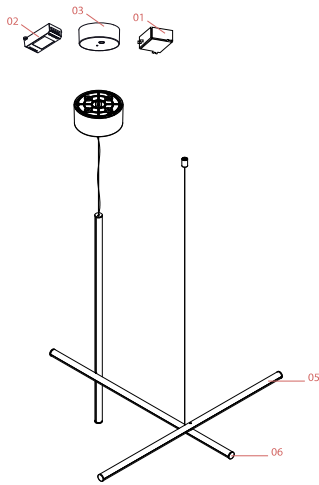


Replaceable (LED only) light source by a professional



Replaceable control gear by a professional

Spare Parts



- | | | |
|-----|--|-----------|
| 01. | Power supply kit for Arrangements small & Noctambule | RF0410500 |
| 02. | Led dimmer kit | RF0410300 |
| 03. | Assembly Rose for Coordinates S Argent | RF1872133 |
| 05. | Rod Assembly L780 SH-03 Agent | RF30914 |
| 06. | Rod Assembly L780 SA-01 Agent | RF30911 |
| 10. | Rod Assembly L780 SA-15 Agent | RF30923 |



RF0410500
Power supply kit for
Arrangements small &
Noctambule



RF0410300
Led dimmer kit



RF1872133
Assembly Rose for Coordinates S
Argent



RF30914
Rod Assembly L780 SH-03 Agent



RF30911
Rod Assembly L780 SA-01 Agent



RF30923
Rod Assembly L780 SA-15 Agent

FLOS

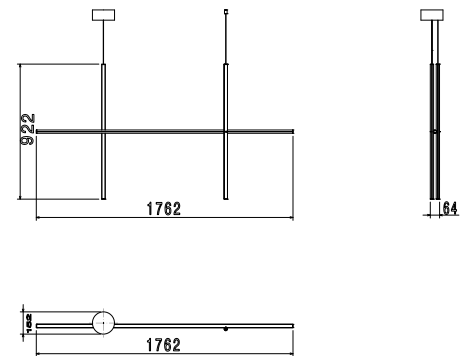
F1844044 Anodized Champagne

Coordinates Suspension 2 CLIII

Designed by Michael Anastassiades, 2020

50W - 2960lm - 2700K - CRI > 95

Coordinates is a lighting system with diffuse light composed of horizontal and vertical luminaries arranged in a bright grid of various shapes and complexities. Each element is made of extruded anodized aluminium with a champagne finish and a diffuser in platinum optical silicone with an integrated LED strip (CRI 95). Each element is powered and supported by an invisible electrical and mechanical connection designed specifically to allow for the composition of the 4 hanging models (S1, S2, S3, S4) with 2.4-m cables. The 'S Module' is also available. Its geometry was designed to be repeated to create large grids for custom installations. Each Coordinates configuration includes its own ceiling rose, whose integrated electronics allow for the use of different dimmer systems: push, 1-10, DALI. In the absence of these systems, the amount of light can be set during installation with the push system included in the rose. The related CI III version is also available for each configuration for installations with a remote power supply.



Are you a professional and your project needs consulting and support?

[BOOK AN APPOINTMENT](#)

Main specifications

EAN	8059607032572
Mounting	Suspension
Environments	Indoor dry location
Light Source Type	LED
LED type	LED Module
Power (W)	50
System flux (lm)	2960

Physical

Colour	Anodized Champagne
Length (mm)	1760
Cord length (mm)	2400
Net weight (kg)	1.8
Package height (mm)	0
Package width (mm)	0
Package length (mm)	0
Package volume (m3)	0.02
IP internal	20

Download

Mounting instructions [↓ PDF](#)

Photometric Files

ULD [↓ ZIP](#)

Technical Drawings

3D [↓ ZIP](#)

[🔒 Bim](#) [↓ ZIP](#)



Photometric

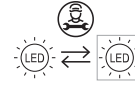
Lighting type	Total
Light distribution	Asymmetric
CCT (K)	2700
CRI>	95

Electrical

Insulation class	III
Main voltage (Vac)	48
LED voltage Vf (Vdc)	null
Driver	Remote excluded
Dimming type	Electronic 48V
Batteries inside	No

Ecodesign and Energy Labelling

This product contains a light source of energy efficiency class F



Replaceable (LED only) light source by a professional

Accessories & Power Supply



OPTIONAL

RF26994

12-48V Led Dimmer

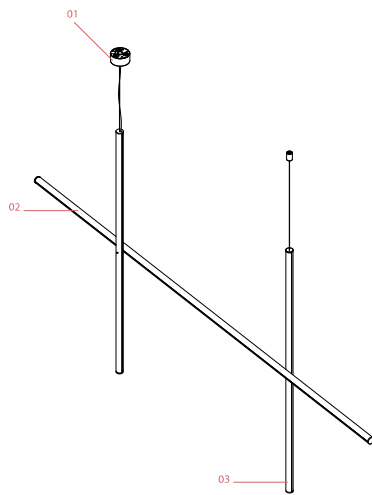


OPTIONAL

RF29208

48Vdc 80W Power supply

Spare Parts



- | | | |
|-----|--|-----------|
| 01. | Assembly Rose Cover for
Coordinates S CLIII Anodized
Champagne | RF1874144 |
| 02. | Rod Assembly L1760 H-21
Anodized Champagne | RF31444 |
| 03. | Rod Assembly L920 S-20
Anodized Champagne | RF31443 |



RF1874144
Assembly Rose Cover for
Coordinates S CLIII Anodized
Champagne



RF31444
Rod Assembly L1760 H-21
Anodized Champagne



RF31443
Rod Assembly L920 S-20
Anodized Champagne

FLOS

F1862044 Anodized Champagne

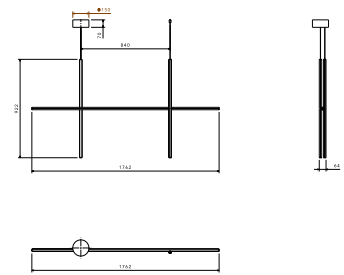
Coordinates Suspension 2

Designed by Michael Anastassiades, 2020



55W - 2960lm - 2700K - CRI > 95

Coordinates is a lighting system with diffuse light composed of horizontal and vertical luminaries arranged in a bright grid of various shapes and complexities. Each element is made of extruded anodized aluminium with a champagne finish and a diffuser in platinum optical silicone with an integrated LED strip (CRI 95). Each element is powered and supported by an invisible electrical and mechanical connection designed specifically to allow for the composition of the 4 hanging models (S1, S2, S3, S4) with 2.4-m cables. The 'S Module' is also available. Its geometry was designed to be repeated to create large grids for custom installations. Each Coordinates configuration includes its own ceiling rose, whose integrated electronics allow for the use of different dimmer systems: push, 1-10, DALI. In the absence of these systems, the amount of light can be set during installation with the push system included in the rose. The related CI III version is also available for each configuration for installations with a remote power supply.



Are you a professional and your project needs consulting and support?

[BOOK AN APPOINTMENT](#)

Main specifications

EAN	8059607001714
Mounting	Suspension
Environments	Indoor dry location
Light Source Type	LED
LED type	LED Module
Power (W)	55
System flux (lm)	2960

Physical

Colour	Anodized Champagne
Length (mm)	1760
Cord length (mm)	2400
Net weight (kg)	2.7
Package height (mm)	0
Package width (mm)	0
Package length (mm)	0
Package volume (m3)	0.03
IP internal	20

Download

Mounting instructions [↓ PDF](#)

Photometric Files

ULD [↓ ZIP](#)

Technical Drawings

3D [↓ ZIP](#)

[🔒 Bim](#) [↓ ZIP](#)



Photometric

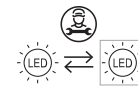
Lighting type	Total
Light distribution	Asymmetric
CCT (K)	2700
CRI>	95

Electrical

Insulation class	I
Frequency (Hz)	50/60
Main voltage (Vac)	120-240
LED voltage Vf (Vdc)	null
Driver	Integrated
Dimmable	Yes
Dimming type	Dimmable 0-10V, Dimmable Push, Dimmable 1-10V, Dimmable DALI 1
Dimming interface	Remote Dimmable (Dimmer Not Included)
Batteries inside	No

Ecodesign and Energy Labelling

This product contains a light source of energy efficiency class F

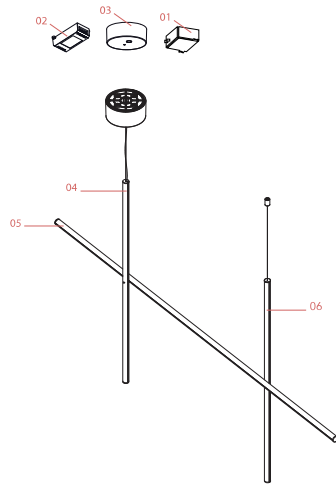


Replaceable (LED only) light source by a professional



Replaceable control gear by a professional

Spare Parts



- | | | |
|-----|--|-----------|
| 01. | Power supply kit for Arrangements small & Noctambule | RF0410500 |
| 02. | Led dimmer kit | RF0410300 |
| 03. | Assembly Rose for Coordinates S Anodized Champagne | RF1872144 |
| 04. | Rod Assembly L920 SA-19 Anodized Champagne | RF31442 |
| 05. | Rod Assembly L1760 H-21 Anodized Champagne | RF31444 |
| 06. | Rod Assembly L920 S-20 Anodized Champagne | RF31443 |



RF0410500
Power supply kit for
Arrangements small &
Noctambule



RF0410300
Led dimmer kit



RF1872144
Assembly Rose for Coordinates S
Anodized Champagne



RF31442
Rod Assembly L920 SA-19
Anodized Champagne



RF31444
Rod Assembly L1760 H-21
Anodized Champagne



RF31443
Rod Assembly L920 S-20
Anodized Champagne

FLOS

F1850033 Argent

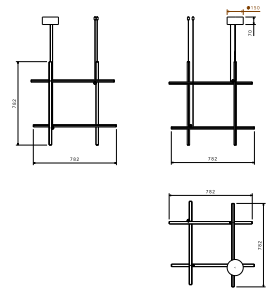
Coordinates Suspension 3

Designed by Michael Anastassiades, 2020



71W - 3850lm - 2700K - CRI > 95

Coordinates is a lighting system with diffuse light composed of horizontal and vertical luminaries arranged in a bright grid of various shapes and complexities. Each element is made of extruded anodized aluminium with a champagne or argent finish and a diffuser in platinum optical silicone with an integrated LED strip (CRI 95). Each element is powered and supported by an invisible electrical and mechanical connection designed specifically to allow for the composition of the 4 hanging models (S1, S2, S3, S4) with 2.4-m cables. Each Coordinates configuration includes its own ceiling rose, whose integrated electronics allow for the use of different dimmer systems: push, 1-10, DALI. In the absence of these systems, the amount of light can be set during installation with the push system included in the rose.



Are you a professional and your project needs consulting and support?

[BOOK AN APPOINTMENT](#)


Main specifications

EAN	8059607038369
Mounting	Suspension
Environments	Indoor dry location
Light Source Type	LED
LED type	LED Module
Power (W)	71
System flux (lm)	3850

Physical

Colour	Argent
Length (mm)	780
Cord length (mm)	2400
Net weight (kg)	3.2
Package height (mm)	0
Package width (mm)	0
Package length (mm)	0
Package volume (m3)	0.04
IP internal	20

Download

[Mounting instructions](#)  PDF

Photometric Files

[ULD](#)  ZIP

Technical Drawings

[3D](#)  ZIP

[Bim](#)  ZIP



Photometric

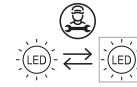
Lighting type	Total
Light distribution	Asymmetric
CCT (K)	2700
CRI>	95

Electrical

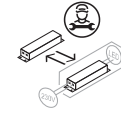
Insulation class	I
Frequency (Hz)	50/60
Main voltage (Vac)	100-240
LED voltage Vf (Vdc)	null
Driver	Integrated
Dimmable	Yes
Dimming type	Dimmable 0-10V, Dimmable Push, Dimmable 1-10V, Dimmable DALI 1
Dimming interface	Remote Dimmable (Dimmer Not Included)
Batteries inside	No

Ecodesign and Energy Labelling

This product contains a light source of energy efficiency class F

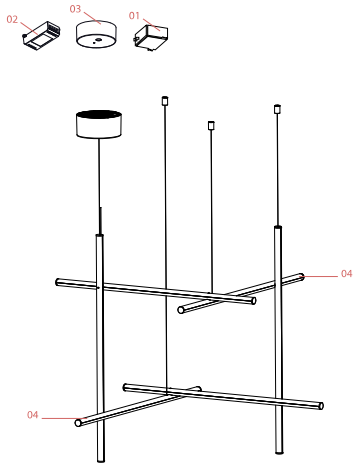


Replaceable (LED only) light source by a professional



Replaceable control gear by a professional

Spare Parts



- | | | |
|-----|--|-----------|
| 01. | Power supply kit for Arrangements small & Noctambule | RF0410500 |
| 02. | Led dimmer kit | RF0410300 |
| 03. | Assembly Rose for Coordinates S Argent | RF1872133 |
| 04. | Rod Assembly L780 SA-01 Agent | RF30911 |
| 10. | Rod Assembly L780 SA-01 Agent | RF30909 |



RF0410500
Power supply kit for
Arrangements small &
Noctambule



RF0410300
Led dimmer kit



RF1872133
Assembly Rose for Coordinates S
Argent



RF30911
Rod Assembly L780 SA-01 Agent



RF30909
Rod Assembly L780 SA-01 Agent